

THIS INFORMATION IS CONFIDENTIAL AND PROPRIETARY TO CV INDUSTRIES INCORPORATED AND ITS AFFILIATES. IT MAY NOT BE DISCLOSED TO ANYONE, OTHER THAN CV INDUSTRIES PERSONNEL, WITHOUT WRITTEN AUTHORIZATION FROM CV INDUSTRIES INCORPORATED, SOUTHAMPTON, PENNSYLVANIA USA.

F

D

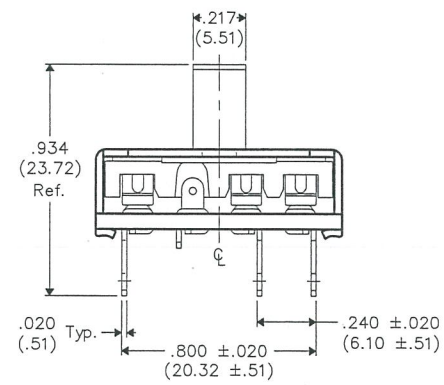
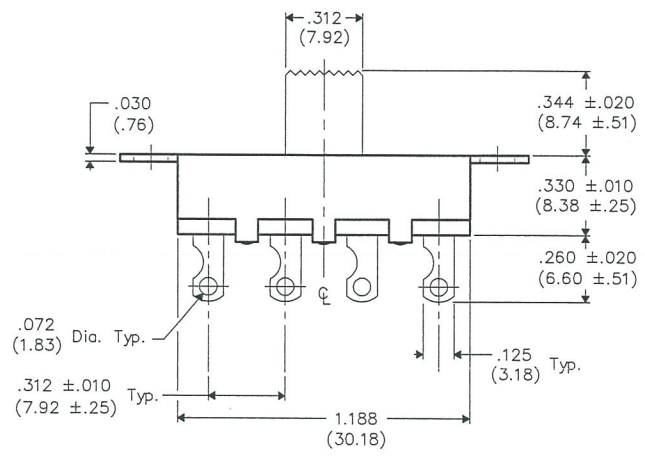
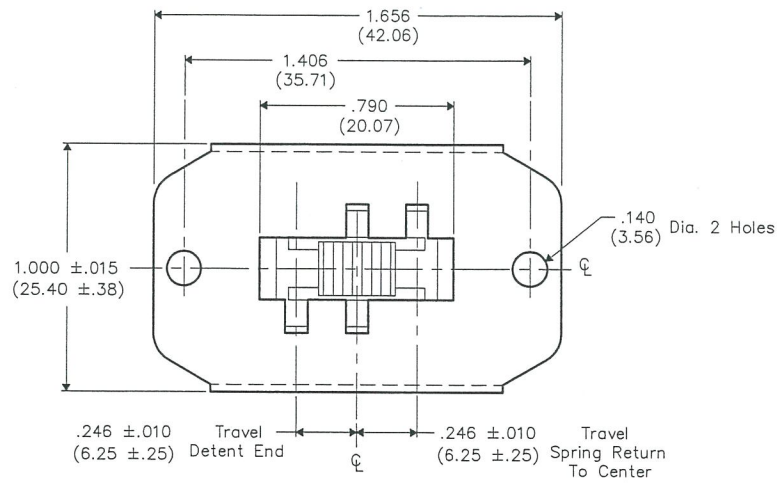
C

B

A

DIMENSIONS IN INCHES (MILLIMETERS)
DO NOT SCALE DRAWING

Dwg. No.
G-637S-0000



1 2 3 4 5 6 7 8 9 10

B-FORMAT 2002

REVISIONS

0
RELEASED: DGW 4-12-16
APP 19 2016

CW INDUSTRIES
Southampton, Pa. 18966

TOLERANCES UNLESS OTHERWISE SPECIFIED
2 Place Decimal ±.010 METRIC
3 Place Decimal ±.005 1 Place Dec. ±.25mm
Angles ±1' 2 Place Dec. ±.13mm

Title: **MOMENTARY SLIDE SWITCH**
3P.- 3 POS.
SPRING RETURN ONE END TO CENTER
DETENT TO OTHER END TO CENTER

Made for: CW IND.
Drawn by: DGW 4-12-16

Division: **SWITCH**

Checked by: *G. GULD 4-18-16*
Approval: *G. GULD 4-18-16*

Dwg. No.
G-637S-0000

MASTER